

Part number

CAOT 24.5



Brief description:

hoods for two levers, size "104.27", side entry, 3/4" NPT, metal version, IP66



Product description

Version	metal version
Series	hoods for two levers
Product type	with 4 pegs
Variant	side entry
Style	high construction
Family	CLASS enclosures
Size	size "104.27"



Technical data

Material	metal
IP degree of protection	IP66 (and IP69K DIN 40050 - 9)
Cable entry	3/4" NPT

Further technical details

Weight	244,00 g
--------	----------

Approvals / Standards

Quality mark	 (type:4/4X/12),  , EAC
Conformity	CQC, CE

General ordering information

EAN13 code	8015747007054
Tariff number	85369095

Packaging Information

Packaging length	255,00 mm
Packaging height	150,00 mm
Packaging width	180,00 mm
Packaging weight	2,44 kg
Packaging volume	6,89 dm ³
Packaging description	Carton box
Packaging quantity	10 Pcs
Packaging EAN code	8015747121538
Sub-packaging weight	1,22 kg
Sub-packaging description	Plastic packaging
Sub-packaging quantity	5 Pcs
Sub-packaging EAN barcode	8015747121545

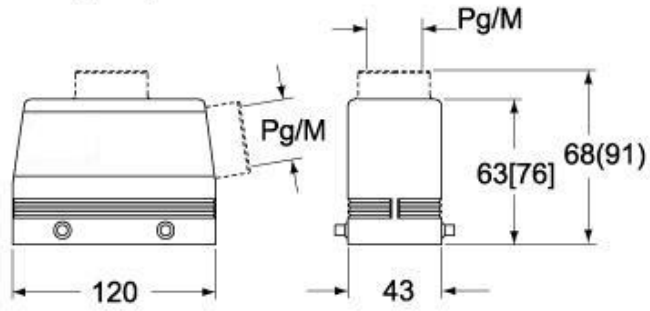
Part number

CAOT 24.5



Catalogue drawings

**CHO [CAO] CHV (CAV) - MHO [MAO]
MHV (MAV)**



CHV G (CAV G) - MHV G (MAV G) - [MFV G]

